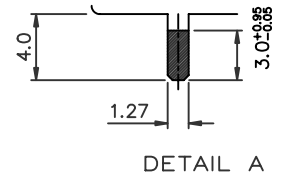
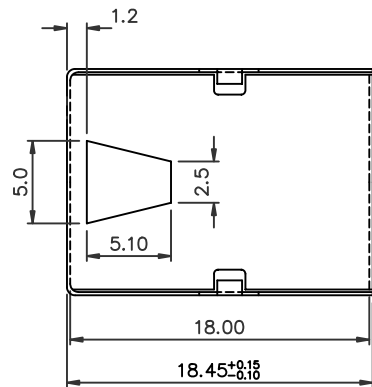
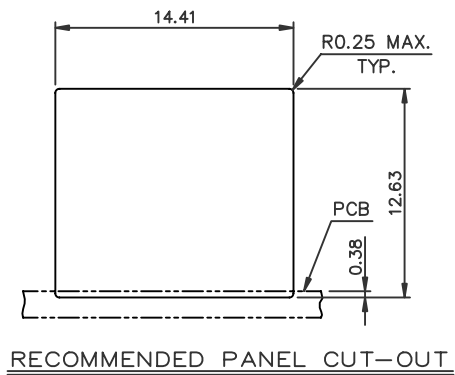


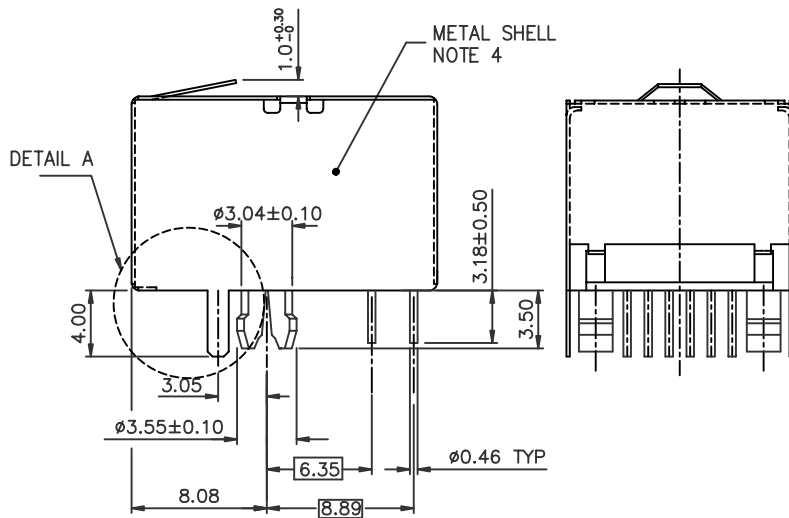
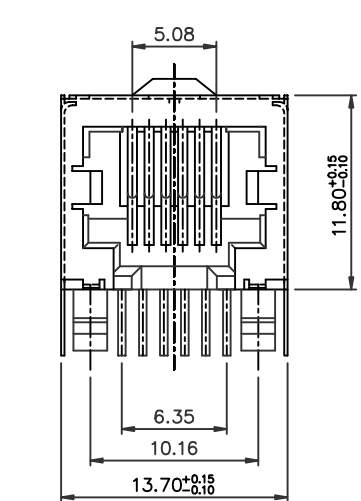
Tous droits strictement réservés. Reproduction ou communication a des tiers int sous quelque forme que ce soit sans autorisation écrite du propriétaire. Property of c BERG ELECTRONICS. Copyright BERG ELECTRONICS by

All rights strictly reserved. Reproduction or issue to third parties in any form whatsoever is not permitted without written authority from the proprietor. Property of c BERG ELECTRONICS. Copyright BERG ELECTRONICS by

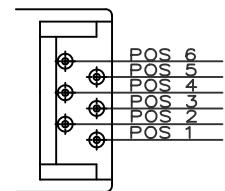
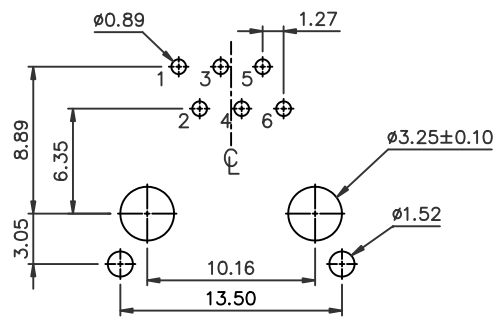


NOTES:

1. RECOMMENDED P.C.B. THICKNESS 1.60 MM
2. HOUSING MAT'L: NYLON 66, 25% GLASS REINFORCED, COLOR: SEE TABLE
3. CONTACTS: PHOS BRONZE ALLOY UNS-C51000, Ø 0.460 ROUND WIRE, PLATING SEE TABLE.
- ④ METAL SHELL MATERIAL:
COPPER ALLOY, 0.20MM THICK.
FINISH: FOR 74543-XXXX TIN-LEAD 100u" THICK
FOR 74543-XXXXLF PURE TIN 80u" THICK
FOR 74543-XXXXNLF 1.27µm/50µ" MINIMUM NICKEL PLATING WITH TIN DIPPED BY MANUAL ON THE SOLDER TAIL.
SEE THE DETAIL A
5. PACKAGING PER GES-14-361, USING TUBE
6. IF LF P/N THE PRODUCT MEETS EUROPEAN UNION DIRECTIVES AND OTHER COUNTRY REGULATIONS AS DESCRIBED IN GS-22-008
7. IF LF P/N THE HOUSING WILL WITHSTAND EXPOSURE TO 260°C PEAK TEMPERATURE FOR 10 SECONDS IN A WAVE SOLDER APPLICATION WITH A 1.60mm MINIMUM THICK CIRCUIT BOARD
8. IF LF P/N PACKAGING MEETS GS-14-920 SPECIFICATION



PRODUCT NO	NUMBER OF POS.	LOADED POSITION	HSG COLOR	PLATING
74543-3661	6	ALL POS.	BLACK	30 v" AU
74543-5661		ALL POS.		50 v" AU
74543-0641		2,3,4,5		30 v" G.X.T.
74543-0661		ALL POS.		30 v" G.X.T.
74543-0661LF		ALL POS.		30 v" G.X.T.
74543-3661LF		ALL POS.		30 v" AU
74543-5661LF		ALL POS.		50 v" AU
74543-0641LF		2,3,4,5		30 v" G.X.T.
74543-3661NLF		ALL POS.		30 " AU
74543-5661NLF		ALL POS.		50 " AU
74543-0641NLF		2,3,4,5		30 v" G.X.T.



POS. NO. CONFIGURATION

mat'l code		tolerance unless otherwise specified		CUSTOMER COPY	 www.fciconnect.com
rev.	ecn no.	dr	date	linear	
A	T80057	CATHY L	02/11/98	.0 ± 0.25	title
B	T80510	M W	11/18/98	.00 ± 0.13	LOW PROFILE PCB III 6 POS
C	T03-0443	W L	10/06/03	.000± 0.05	MOD JACK, FULLY SHIELDED
D	N04-0125	YS	12/15/04	angles ± 2°	product family
E	N0-0305	WG	12/12/06	dr CATHY LIN 01/16/98	MOD JACK
F	N07-0215	WC	09/07/07	enrg TONY CHIEN 01/16/98	code
G	N08-0052	SH	03/25/08	chr TONY CHIEN 01/16/98	TWN
sheet revision F				scale	size
index sheet 1				3 : 1	A3
				dwg no.	74543
				sheet	1 OF 1